



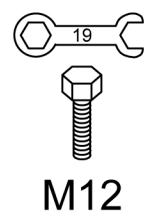
Seria FIT PRO

Plan fundamentowania

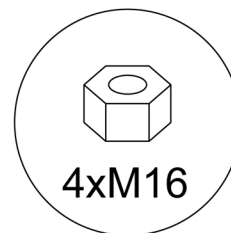
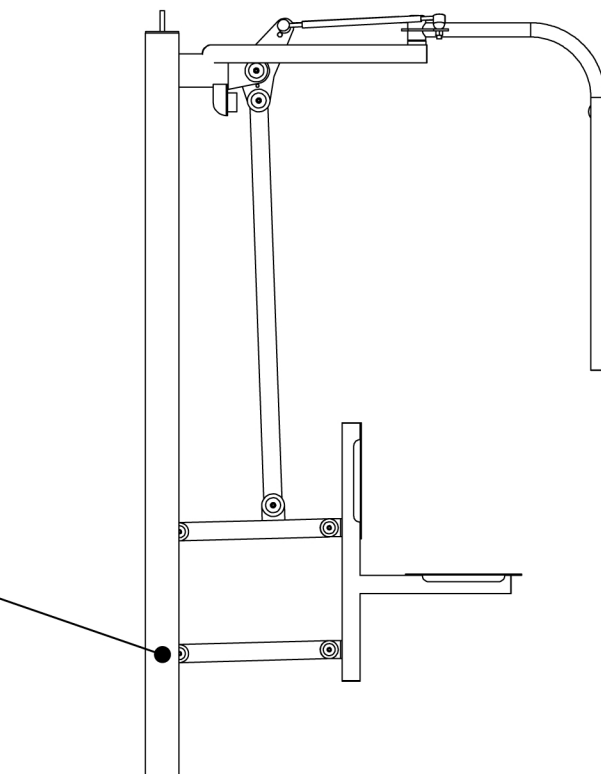
Footing plan

Pylon/Motyl Rewers

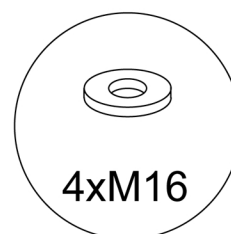
Pylon/Butterfly Reverse



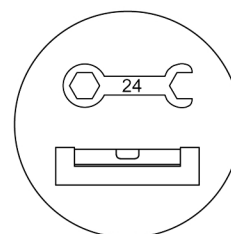
M12



4xM16



4xM16

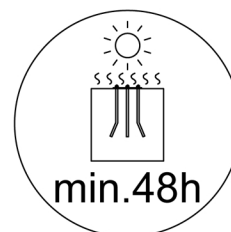
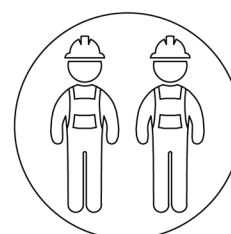
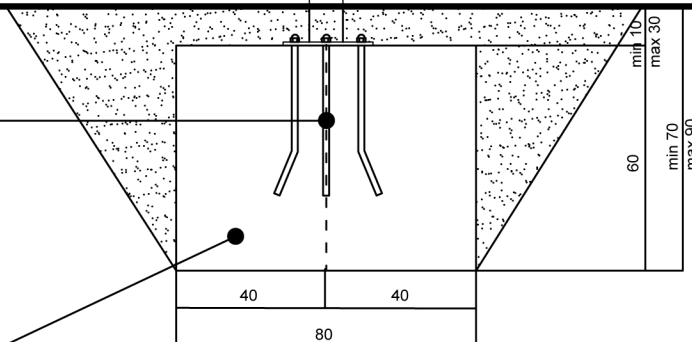


24

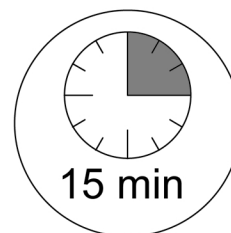
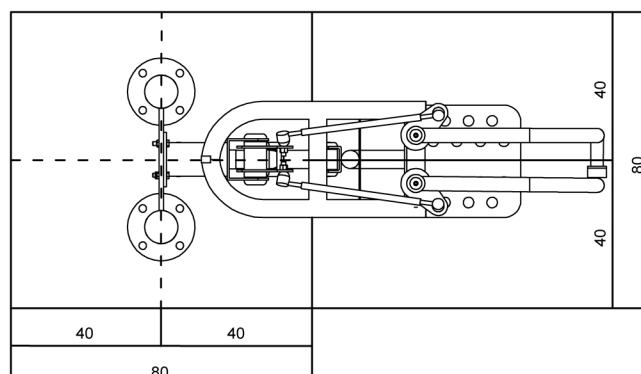
KD4



C20/25



min.48h



15 min