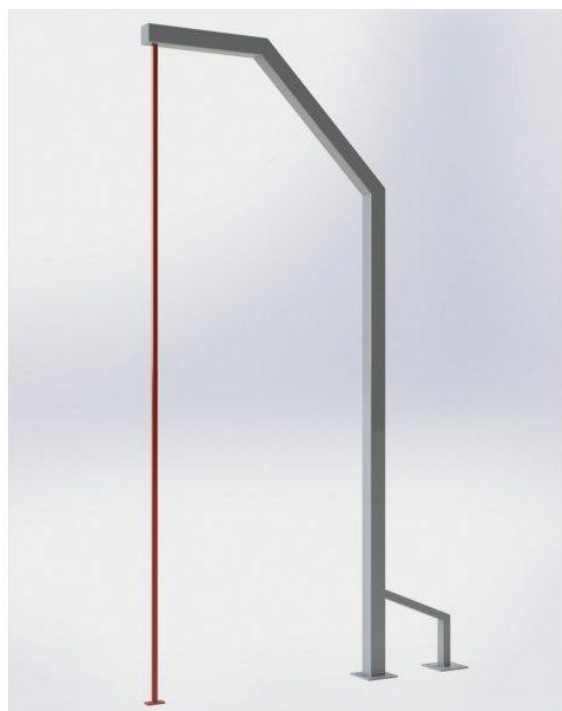


name:

POLE DANCE

SKU:

SW005



safety rules:

- Certified device
- WSU:
- Maximum load 160 kg
- Minimal increase 140 cm

dimensions (length x width)

200 x 10 x 360 cm

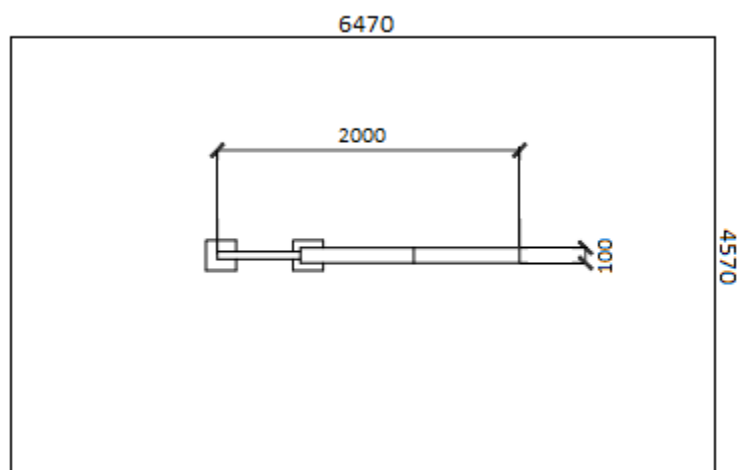
safety zone:

647 x 457 cm

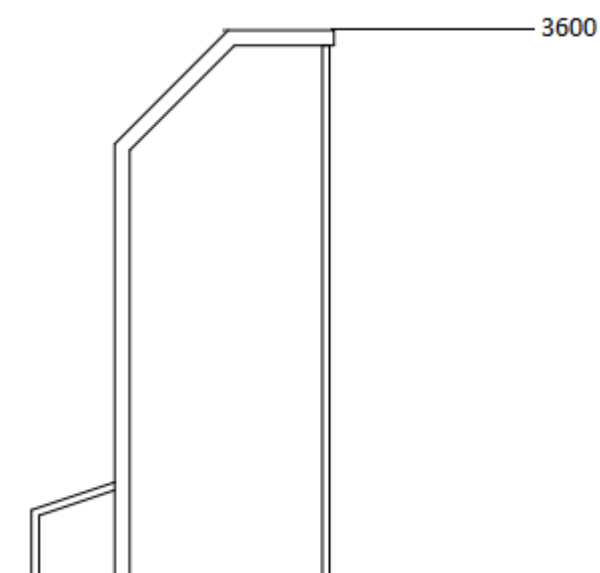
technical specifications:

- Galvanized steel pipes min. 3 mm of thickness
- Pipe diameters: 33 and 48 mm
- Powder coated twice
- Ladders and tubes are attached to the poles with M12 bolts, self-made bolt nuts
- Mounting orifice 200 x 200 x 8 mm, bolt M12
- Profiles 100x100 mm or 80x80 mm

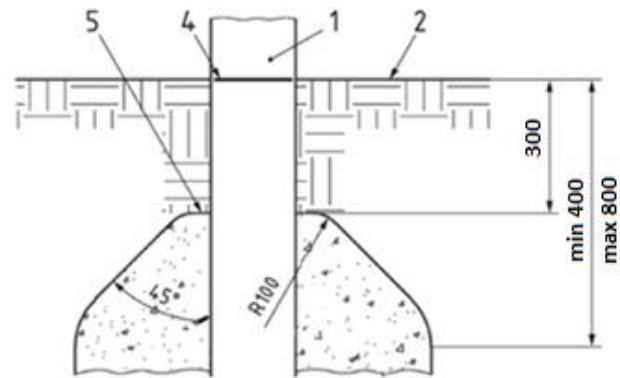
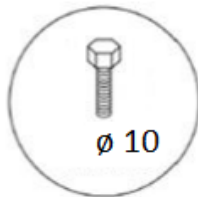
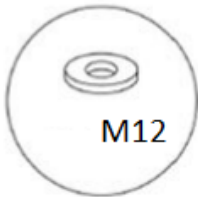
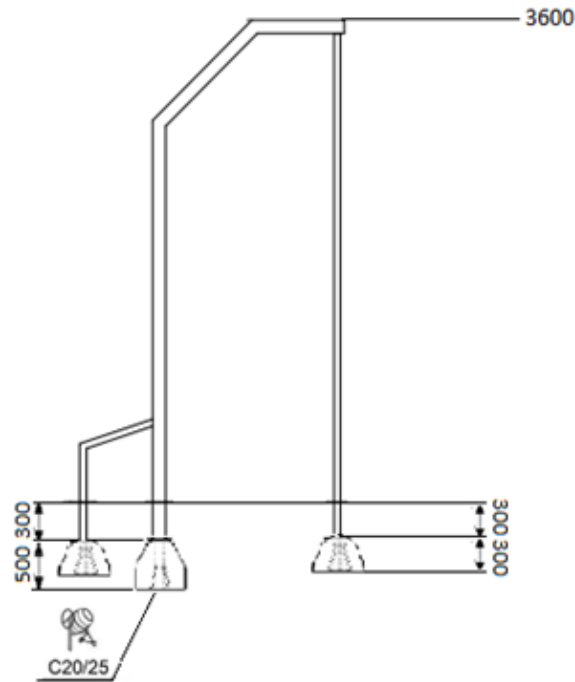
view from the top:



cross-section:



foundation:



surfaces:

A safe surface should be made to absorb the fall:

- **Sand** grain size 0,25 to 2, minimum thickness 400 mm
- **Gravel** grain size 2 to 8, minimum thickness 400 mm
- **Corck** grain size 20 to 80, minimum thickness 400 mm
- **Shavings** grain size 5 to 30, minimum thickness 400 mm

Synthetic surfaces made in accordance with the PN-EN1177 standard.