

name:

BENCH WITH HANDRAILS

SKU:

SW008

description:

Device that allows stretching, strength, pull-ups, push-ups, sit-ups.



safety rules:

- Certified device
- WSU:
- Maximum load 160 kg
- Minimal increase 140 cm

dimentions (length x width)

245 x 300 x 160 cm

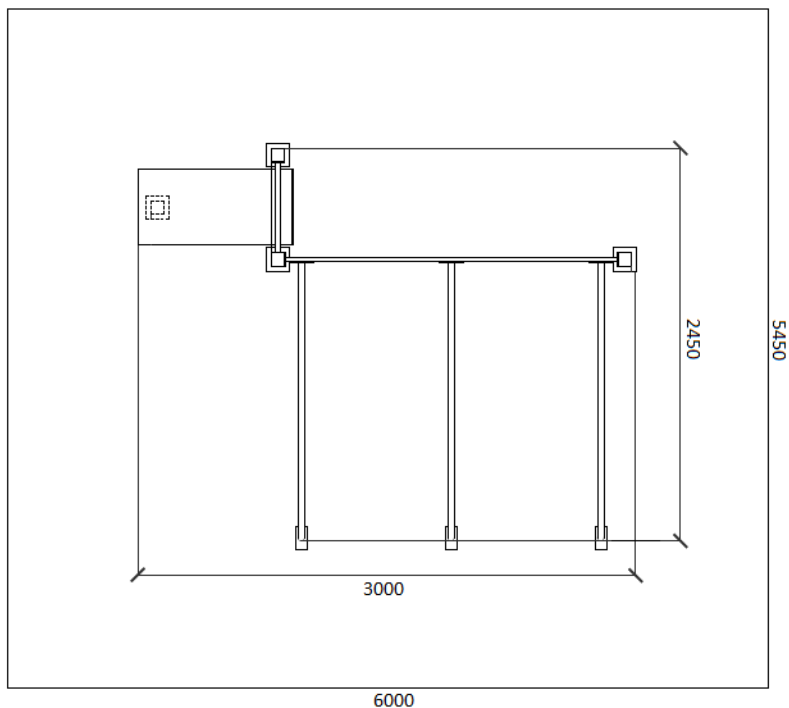
safety zone:

545 x 600 cm

technical specifications:

- Galvanized steel pipes min. 3 mm of thickness
- Pipe diameters: 33 and 48 mm
- Powder coated twice
- Ladders and tubes are attached to the poles with M12 bolts, self-made bolt nuts
- Mounting orifice 200 x 200 x 8 mm, bolt M12
- Profiles 100x100 mm or 80x80 mm

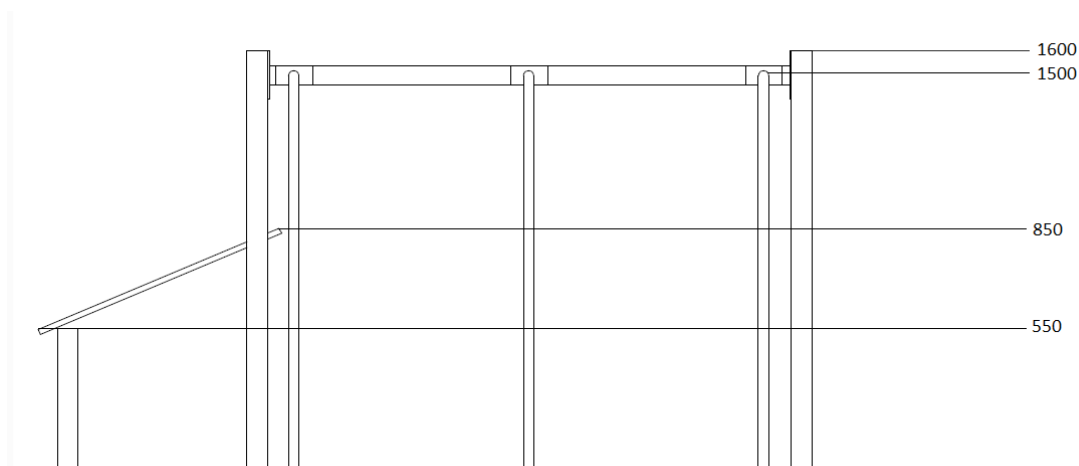
view from the top:



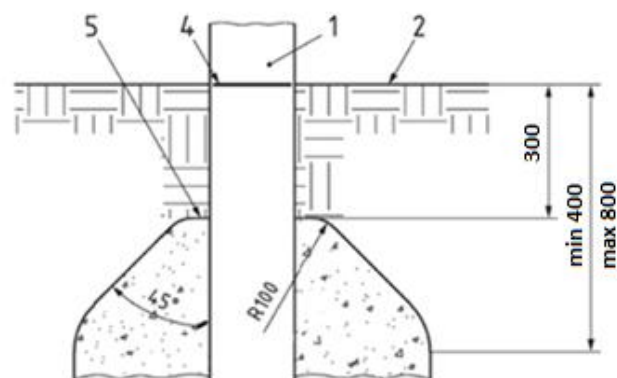
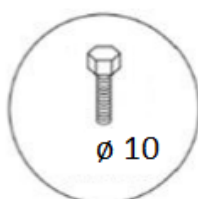
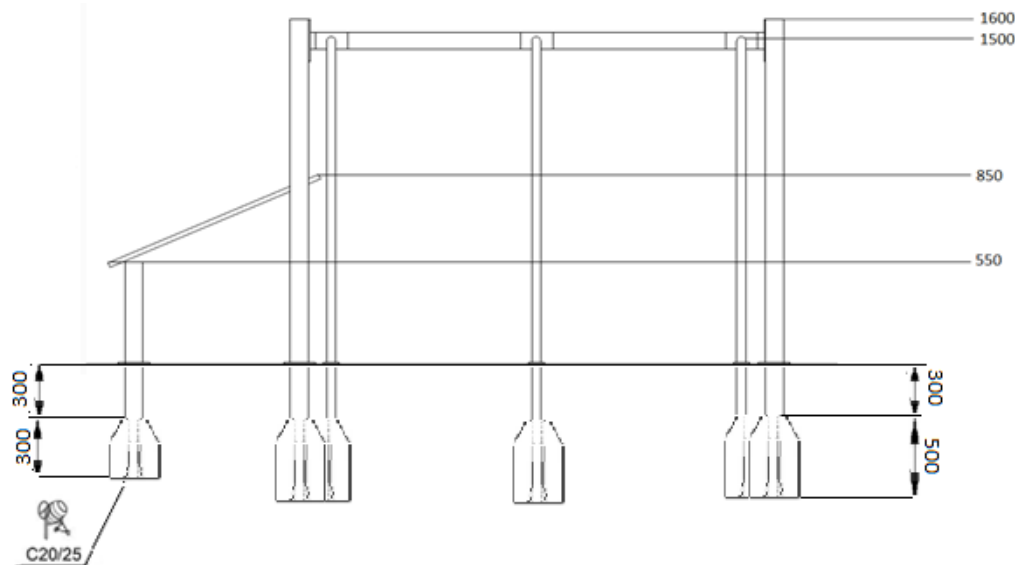
items:

- bench with a ladder 1
- high handrail \varnothing 48,3 mm 3

cross-section:



foundation:



surfaces:

A safe surface should be made to absorb the fall:

- **Sand** grain size 0,25 to 2, minimum thickness 400 mm
- **Gravel** grain size 2 to 8, minimum thickness 400 mm
- **Corck** grain size 20 to 80, minimum thickness 400 mm
- **Shavings** grain size 5 to 30, minimum thickness 400 mm

Synthetic surfaces made in accordance with the PN-EN1177 standard.