

name:

STREET WORKOUT GATE

SKU:

SW015

description:

Device that allows you to perform stretching and strength exercises, pull-ups, push-ups, sit-ups.



safety rules:

- Certified device
- WSU:
- Maximum load 160 kg
- Minimal increase 140 cm

dimensions (length x width)

1575 x 550 x 360 cm

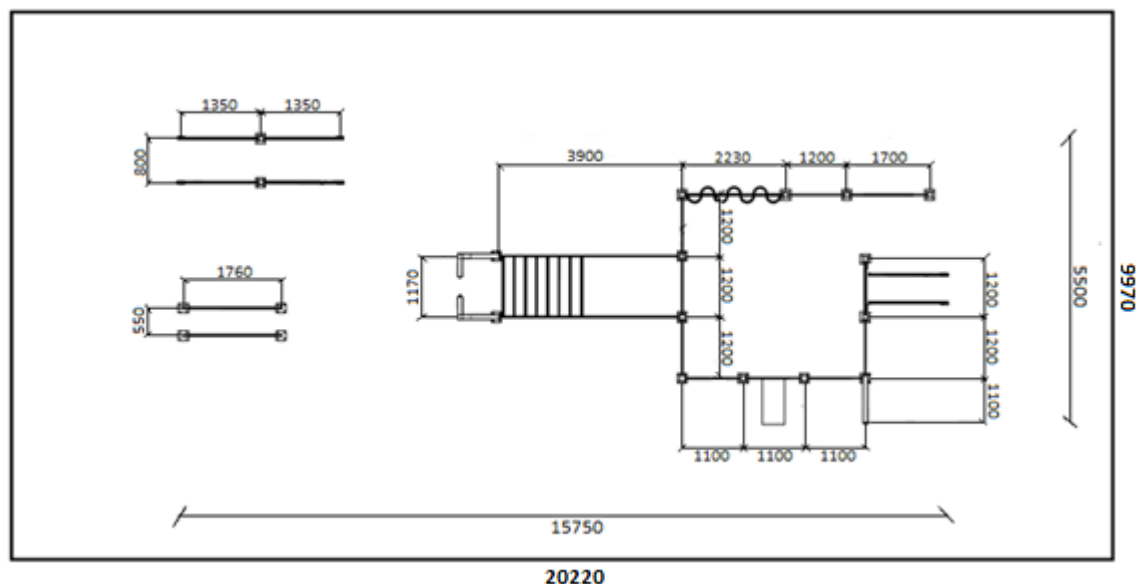
safety zone:

2022 x 997 cm

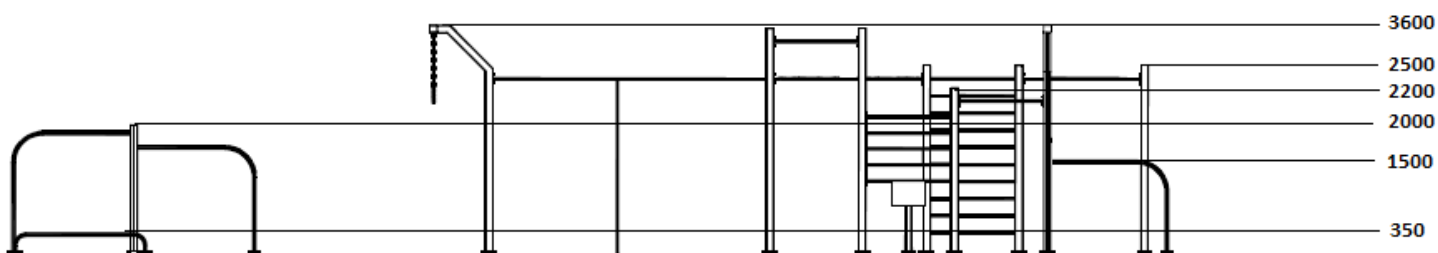
technical specifications:

- Galvanized steel pipes min. 3 mm of thickness
- Pipe diameters: 33 and 48 mm
- Powder coated twice
- Ladders and tubes are attached to the poles with M12 bolts, self-made bolt nuts
- Mounting orifice 200 x 200 x 8 mm, bolt M12
- Profiles 100x100 mm or 80x80 mm

view from the top:



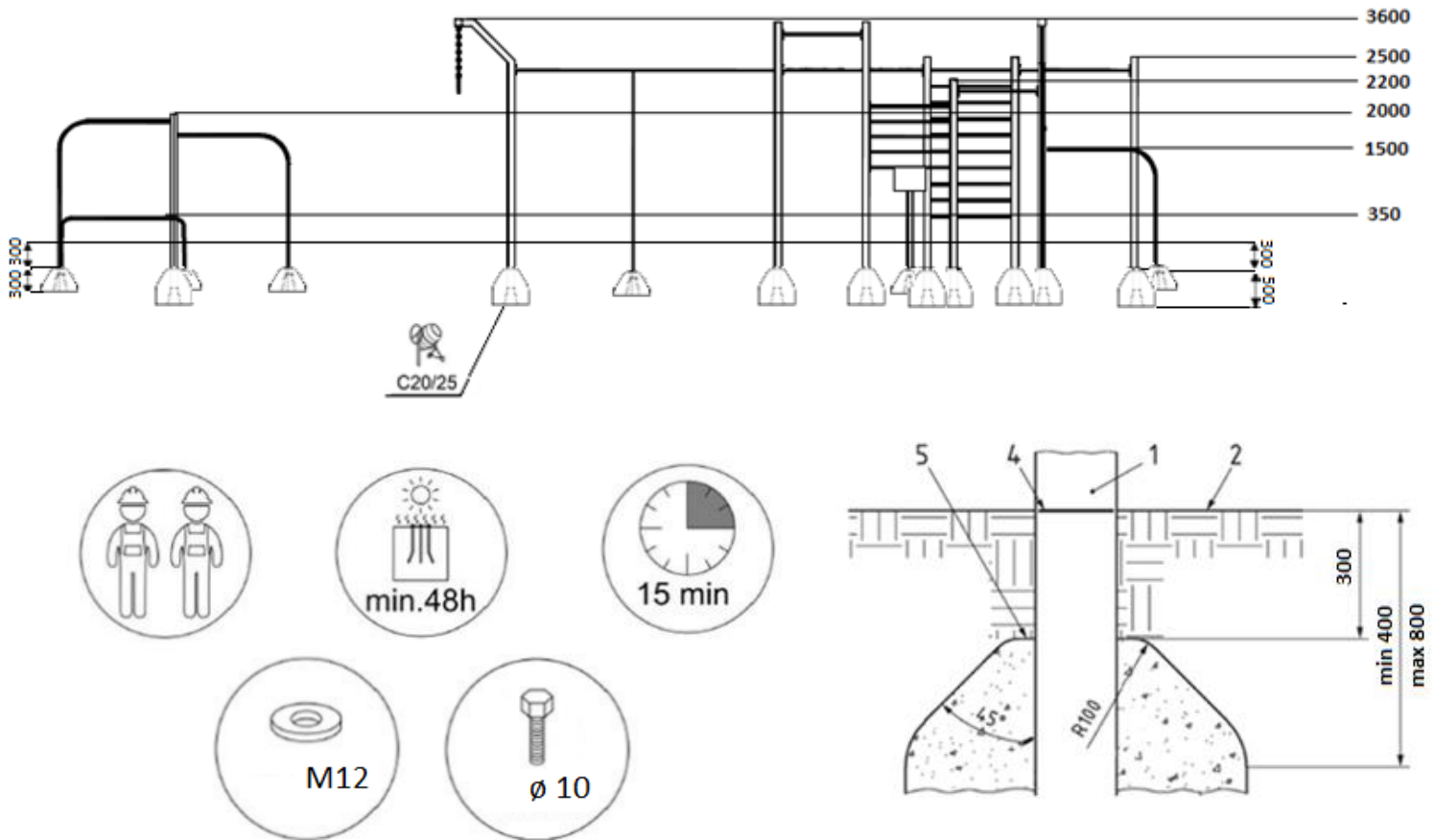
cross-section:



items:

- bar \varnothing 33,7 mm 7
- low handrail \varnothing 48,3 mm 2
- high handrail \varnothing 48,3 mm 6
- bench with a ladder 1
- Pole dance 1
- Gymnastic rings 1
- snake 1
- vertical ladder 1
- diagonal ladder 1

foundation:



surfaces:

A safe surface should be made to absorb the fall:

- **Sand** grain size 0,25 to 2, minimum thickness 400 mm
- **Gravel** grain size 2 to 8, minimum thickness 400 mm
- **Corck** grain size 20 to 80, minimum thickness 400 mm
- **Shavings** grain size 5 to 30, minimum thickness 400 mm

Synthetic surfaces made in accordance with the PN-EN1177 standard.