

name:

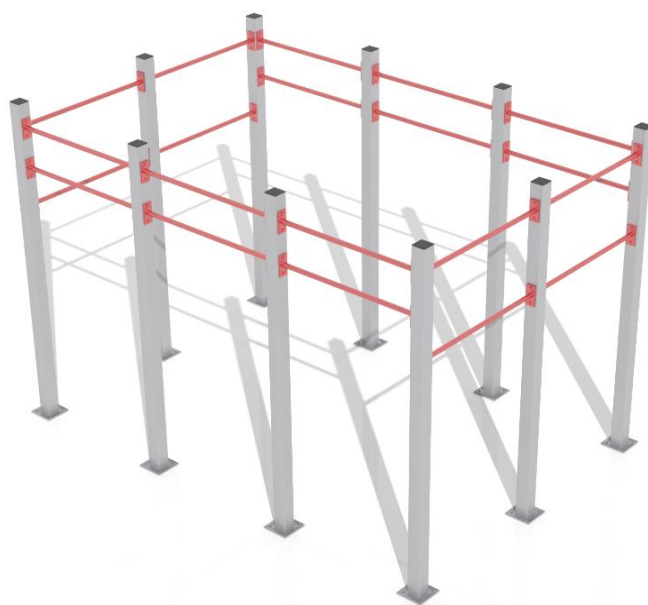
**STREET WORKOUT GATE**

SKU:

**SW018**

description:

Device that allows you to perform stretching and strength exercises, pull-ups, push-ups, sit-ups.



**safety rules:**

- Certified device
- WSU:
- Maximum load 160 kg
- Minimal increase 140 cm

**dimentions (length x width)**

**370 x 250 x 250 cm**

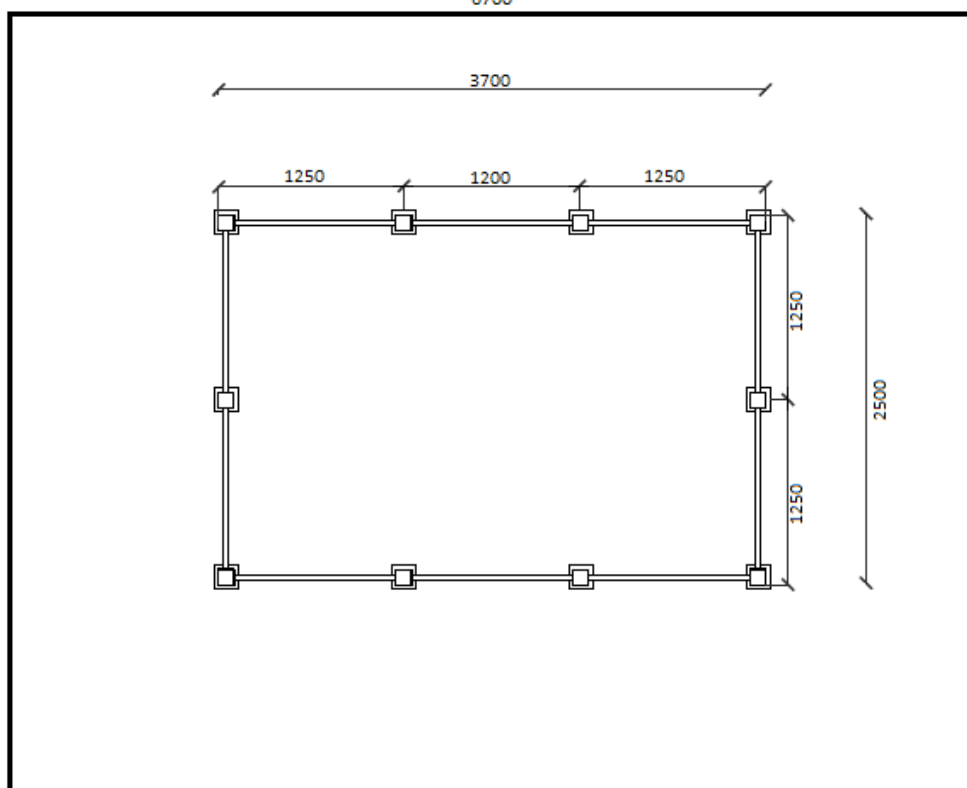
**safety zone:**

**670 x 550 cm**

**technical specifications:**

- Galvanized steel pipes min. 3 mm of thickness
- Pipe diameters: 33 and 48 mm
- Powder coated twice
- Ladders and tubes are attached to the poles with M12 bolts, self-made bolt nuts
- Mounting orifice 200 x 200 x 8 mm, bolt M12
- Profiles 100x100 mm or 80x80 mm

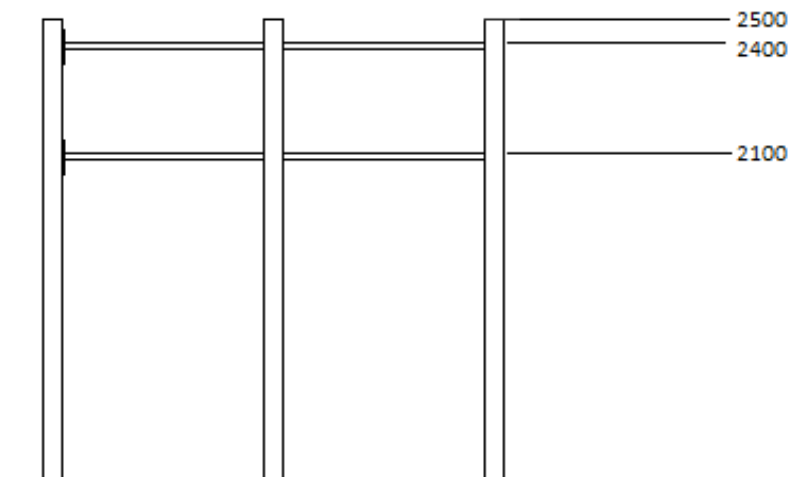
view from the top:



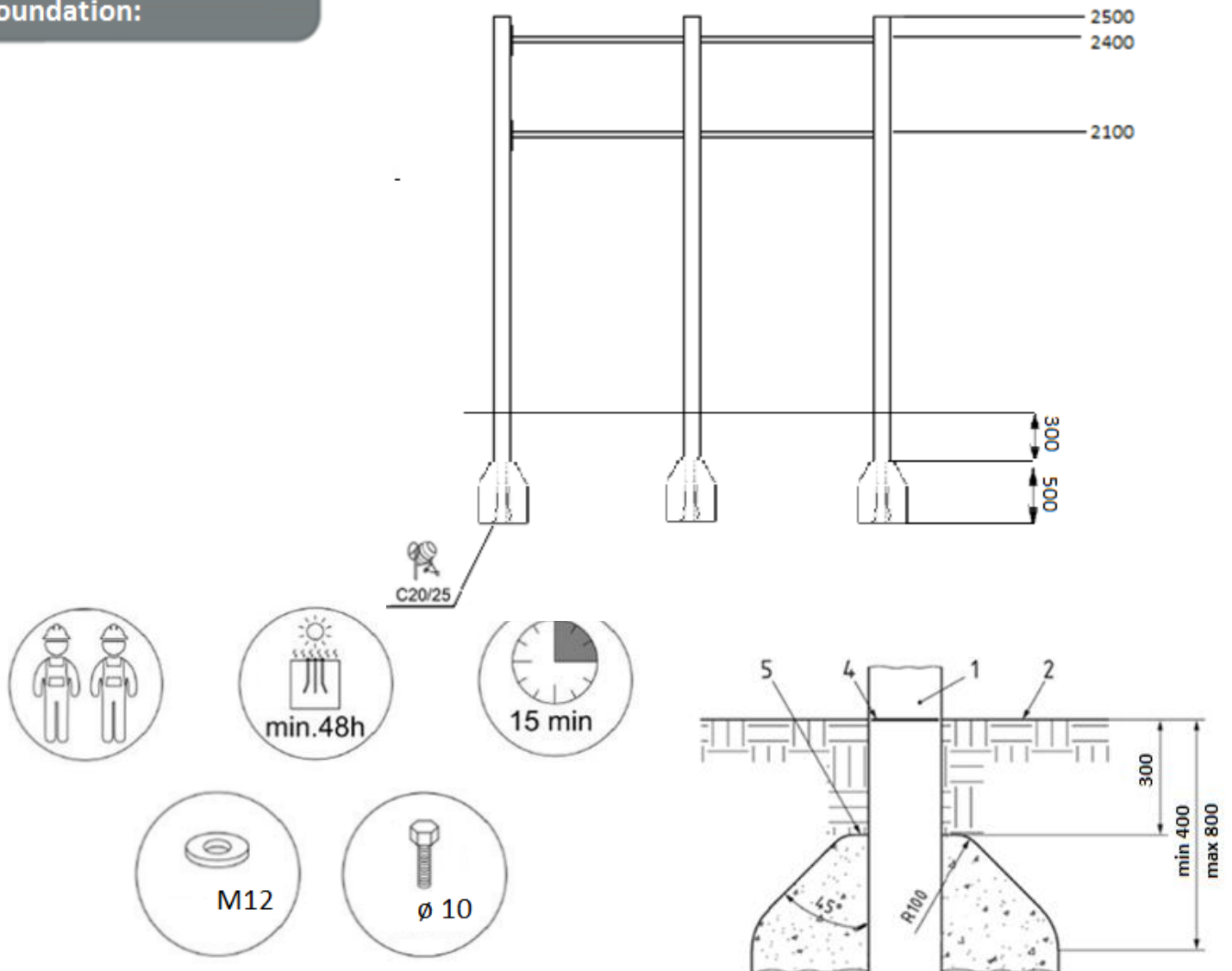
items:

- bar  $\varnothing$  33,7 mm 20

cross-section:



## foundation:



## surfaces:

A safe surface should be made to absorb the fall:

- **Sand** grain size 0,25 to 2, minimum thickness 400 mm
- **Gravel** grain size 2 to 8, minimum thickness 400 mm
- **Corck** grain size 20 to 80, minimum thickness 400 mm
- **Shavings** grain size 5 to 30, minimum thickness 400 mm

**Synthetic surfaces** made in accordance with the PN-EN1177 standard.