

name:

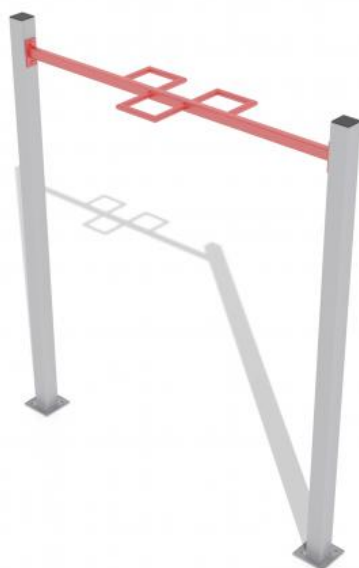
**SNAKE**

SKU:

**SW019**

description:

Device affects the muscles of the shoulders and back.



**safety rules:**

- Certified device
- WSU:
- Maximum load 160 kg
- Minimal increase 140 cm

**dimensions (length x width)**

**220 x 57 x 250 cm**

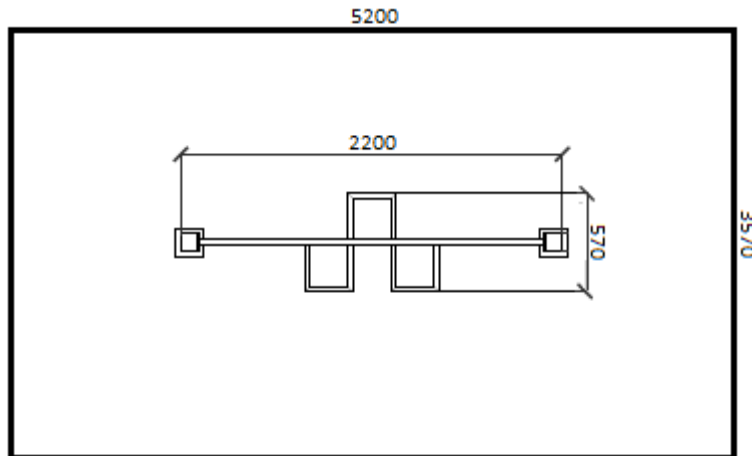
**safety zone:**

**520 x 357 cm**

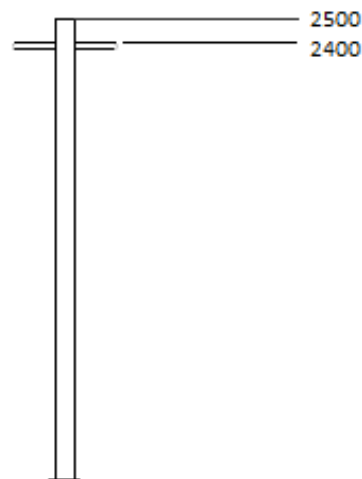
**technical specifications:**

- Galvanized steel pipes min. 3 mm of thickness
- Pipe diameters: 33 and 48 mm
- Powder coated twice
- Ladders and tubes are attached to the poles with M12 bolts, self-made bolt nuts
- Mounting orifice 200 x 200 x 8 mm, bolt M12
- Profiles 100x100 mm or 80x80 mm

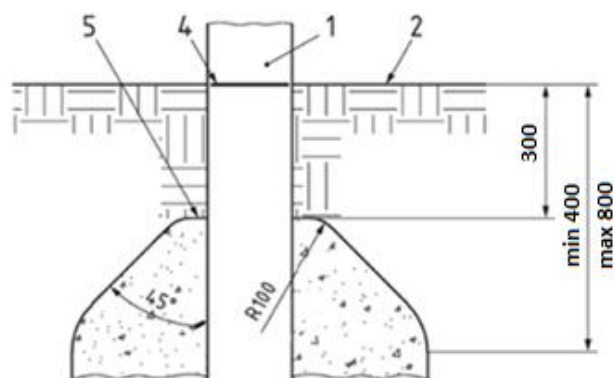
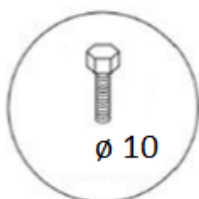
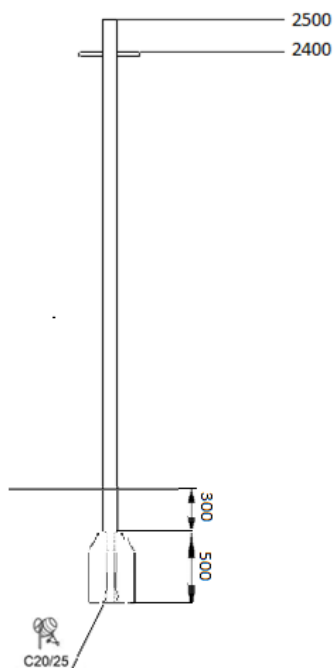
view from the top:



cross-section:



## foundation:



## surfaces:

A safe surface should be made to absorb the fall:

- **Sand** grain size 0,25 to 2, minimum thickness 400 mm
- **Gravel** grain size 2 to 8, minimum thickness 400 mm
- **Corck** grain size 20 to 80, minimum thickness 400 mm
- **Shavings** grain size 5 to 30, minimum thickness 400 mm

**Synthetic surfaces** made in accordance with the PN-EN1177 standard.